



PLECS

DEMO MODEL

Power Supply Compensator Analysis

Last updated in PLECS 4.3.1

www.plexim.com

- ▶ Request a PLECS trial license
- ▶ Check the PLECS documentation

1 Overview

This demonstration analyzes the performance of Type 2 and Type 3 analog compensators used in power supply units (PSUs). The analyzed PSU is a buck converter with modeled-in inductor and capacitor non-idealities. The role of the capacitor and its effective series resistance (ESR) on the plant zero and poles is discussed. Furthermore, the compensators' performance is analyzed with respect to the phase margin, system bandwidth, and rate of change in gain at the cross-over frequency. This analysis is based on [1].

Note This model contains model initialization commands that are accessible from:

PLECS Standalone: The menu **Simulation + Simulation Parameters... + Initializations**

PLECS Blockset: Right click in the **Simulink model window + Model Properties + Callbacks + InitFcn***

2 Model

2.1 Power circuit

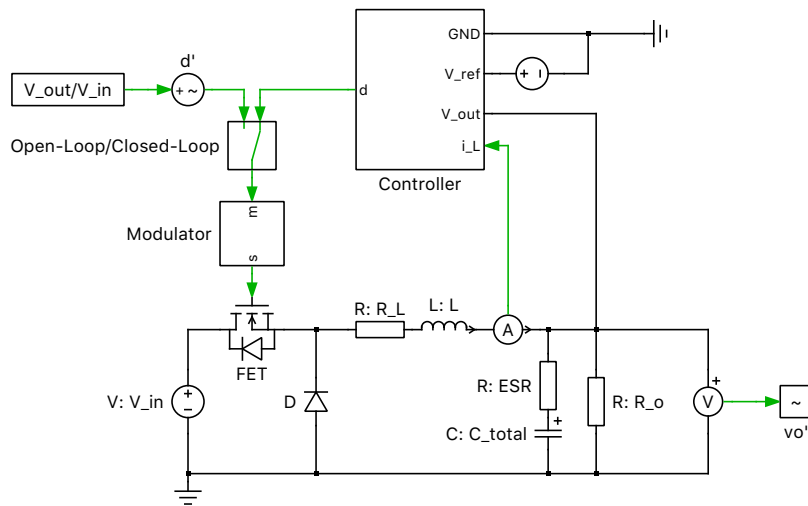


Figure 1: Type 2 and type 3 compensator analysis for power supplies (PLECS Standalone)

The analyzed PSU is a simple buck converter where the capacitance and ESR effects are being investigated. The plant transfer function can be simplified to the following:

$$G_{\text{plant}}(s) = \frac{R_o(C_{\text{total}} \cdot \text{ESR} \cdot s + 1)}{L \cdot C_{\text{total}} \cdot s^2(R_o \cdot \text{ESR}) + s(L + R_o \cdot C_{\text{total}} \cdot \text{ESR}) + R_o}$$

where the Laplace operator, “s”, and thus the plant transfer function, varies as a function of the frequency. In $G_{\text{plant}}(s)$, the effects of the inductor resistance are assumed to be minimal on system performance and, thus, ignored. For the buck converter, the system double poles and zero due to the LC-filter and ESR, respectively, are given by:

$$f_{\text{LC}} = \frac{1}{2 \cdot \pi \cdot \sqrt{L \cdot C_{\text{total}}}}$$

$$f_{\text{ESR}} = \frac{1}{2 \cdot \pi \cdot C_{\text{total}} \cdot \text{ESR}}$$

The voltage controllers are designed to obtain desired open-loop system characteristics by placing the system poles and zeros.

2.2 Control

The model can be run either as an open-loop or closed-loop controlled system. Double-clicking on the Manual Switch (“Open-Loop/Closed-Loop”) toggles the model configuration.

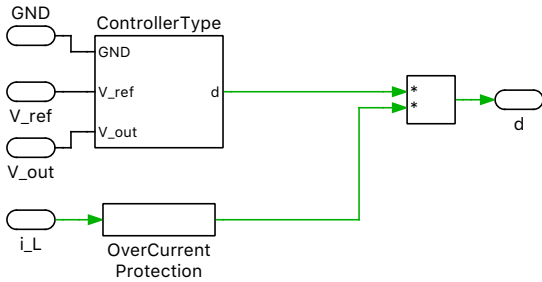


Figure 2: Closed-loop controller schematic

The closed-loop control system consists of a voltage-mode regulator and over-current protection. The voltage-mode regulator can be configured to operate either with a Type 2 or Type 3 compensator.

The closed-loop system should have the following characteristics to ensure high system dynamics and stability:

- A system bandwidth between $\frac{1}{10}$ and $\frac{1}{5}$ of the switching frequency.
- A -20 dB/decade slope of the gain near the system cross-over frequency.
- A phase margin greater than 45° .

Type 2 Compensator

Type 2 compensators are used in systems where the desired cross-over frequency (f_x) is greater than both f_{LC} and f_{ESR} . That is:

$$f_{LC} < f_{ESR} < f_x < f_{sw}/2$$

where $f_{sw}/2$ is half the switching frequency. We will refer to this as System 1.

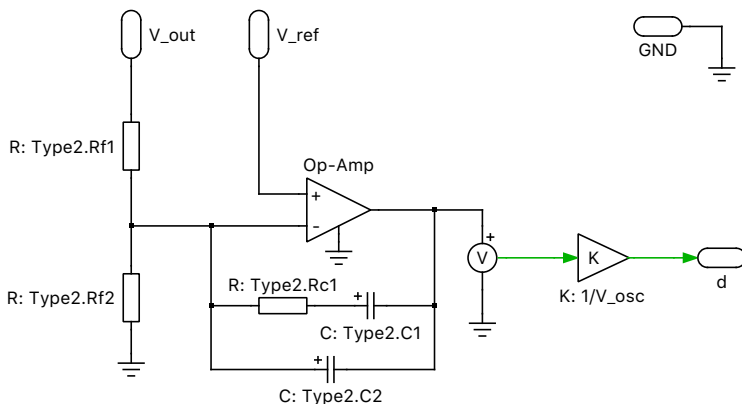


Figure 3: Type 2 compensator circuit

The Type 2 compensator in the model shown above is implemented using an ideal op-amp with finite gain. The op-amp gain is set to 10^6 . The positive input terminal is connected to the reference voltage.

The output voltage of the buck converter is scaled using a resistive divider and connected to the negative input terminal of the op-amp. Furthermore, the negative input is connected to the op-amp output via an RC network. The simplified transfer function of the Type 2 compensator (Eq. 9 in [1]) is given by:

$$H_{\text{Type2}}(s) \approx \frac{1 + C_1 \cdot R_{C1} \cdot s}{C_1 \cdot R_{11} \cdot s(1 + C_2 \cdot R_{C1} \cdot s)}$$

The zero and poles of the compensator are given by:

$$f_{z1} = \frac{1}{2 \cdot \pi \cdot C_1 \cdot R_{C1}}$$

$$f_{p1} = 0$$

$$f_{p2} = \frac{1}{2 \cdot \pi \cdot C_2 \cdot R_{C1}}$$

To obtain the desired system performance, the resistors and capacitors can be selected to ensure that:

$$f_{z1} \approx 0.75 \cdot f_{LC}$$

$$f_{p2} \approx f_{sw}/2$$

Placing the zero and pole at these locations, along with the pole at the origin (f_{p1}), causes the open-loop transfer function of the closed-loop system to exhibit the desired characteristics.

Type 3 Compensator

In systems where f_x is less than f_{ESR} , the Type 2 compensator may not be able to provide the desired closed-loop system response and stability. A Type 3 compensator can then be used.

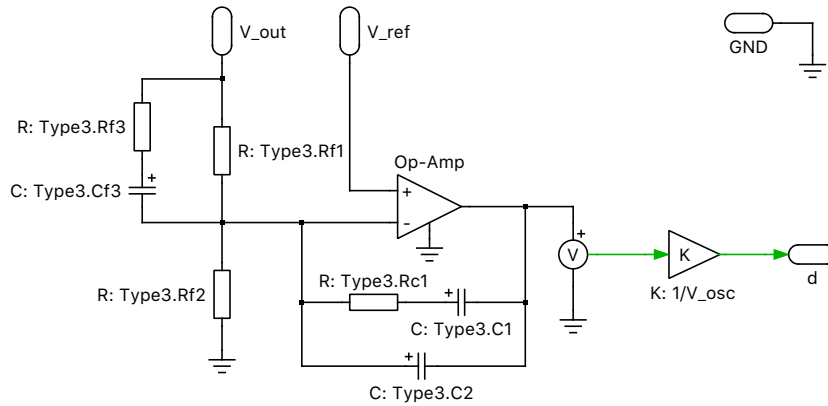


Figure 4: Type 3 compensator circuit

As with the Type 2 compensator, the Type 3 compensator is implemented with an ideal, finite-gain op-amp. The Type 3 compensator configuration is shown above. For systems where:

$$f_{LC} < f_x < f_{ESR} < f_{sw}/2$$

the additional pole and zero of the Type 3 compensator allow for the design of a fast and stable closed-loop control of this system. We will refer to this as System 2. The simplified transfer function of the Type 3 compensator (Eq. 22 in [1]) is given by:

$$H_{\text{Type3}}(s) \approx \frac{(1 + C_1 \cdot R_{C1} \cdot s) \cdot (1 + C_{f3} \cdot (R_{f1} + R_{f3}))}{C_1 \cdot R_{f1} \cdot s(1 + C_2 \cdot R_{C1} \cdot s) \cdot (1 + C_{f3} \cdot R_{f3} \cdot s)}$$

The zero and poles of the compensator are given by:

$$f_{z1} = \frac{1}{2 \cdot \pi \cdot C_1 \cdot R_{C1}}$$

$$f_{z2} = \frac{1}{2 \cdot \pi \cdot C_{f3} \cdot (R_{f1} + R_{f3})}$$

$$f_{p1} = 0$$

$$f_{p2} = \frac{1}{2 \cdot \pi \cdot C_{f3} \cdot R_{f3}}$$

$$f_{p3} = \frac{1}{2 \cdot \pi \cdot C_2 \cdot R_{C1}}$$

To obtain the desired system performance, the resistors and capacitors can be selected to ensure that:

$$f_{z1} \approx 0.75 \cdot f_{LC}$$

$$f_{z2} \approx f_{LC}$$

$$f_{p2} \approx f_{ESR}$$

$$f_{p3} \approx f_{sw}/2$$

Placing the zeros and poles at these locations, along with the pole at the origin (f_{p1}) causes the open-loop transfer function of the closed-loop system to demonstrate the desired characteristics.

Overcurrent protection

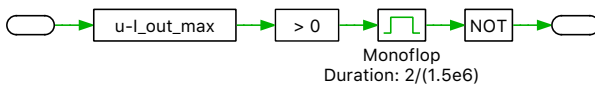


Figure 5: Overcurrent protection circuit

An IR3840 synchronous buck regulator based over current protection is modeled in this circuit. This is used to limit the current that is drawn from the input voltage source. As the current through the inductor reaches the maximum allowable current in the system, the switching modulation index is set to 0. After a few clock cycles the over current protection system is reset.

3 Simulation

The model has been configured to emulate the two different systems described above. The variable CapSelector is used to toggle between the two systems. In PLECS Standalone and PLECS Blockset this variable can be accessed and changed the following way:

- *Standalone*: Open the **Initialization** tab under **Simulation + Simulation parameters...** and set a value in line #13
- *Blockset*: Open the Simulink menu **File + Model Properties** Then in the **Callbacks** tab choose the **InitFcn*** and set a value in line #13

Open-loop control analysis

In the compensator design process, the open-loop plant transfer function is used to verify the analytical model of the plant. With the model as is, execute the following steps for either PLECS Standalone or PLECS Blockset:

- *Standalone*: Select **Analysis tools...** from the **Simulation** menu. Run either the Multitone or Impulse Response Analysis for the “Control to Output TF” analysis. This provides the transfer function for the open-loop system.

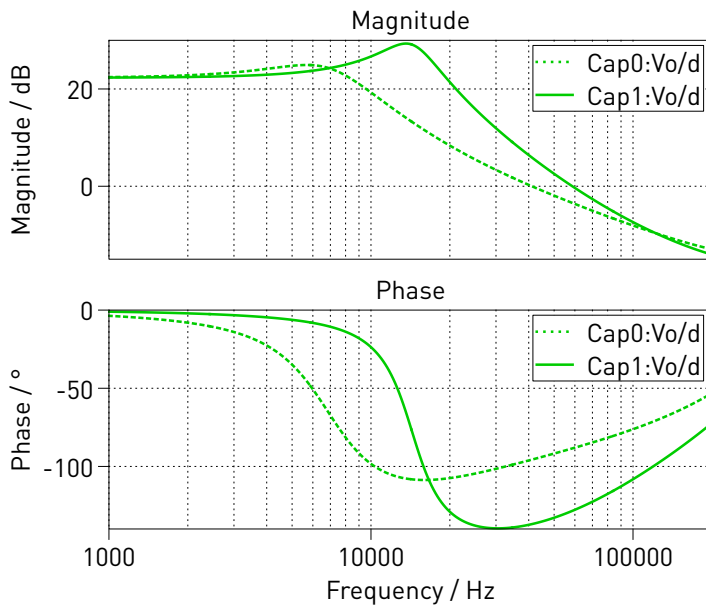


Figure 6: Plant transfer function with different output capacitors (Cap0: 940 μF , ESR=10 $\text{m}\Omega$ and Cap1: 220 μF , ESR=8 $\text{m}\Omega$)

- *Blockset:* Double-click on the Impulse Response Analysis or Loop Gain (Multitone) blocks on the Simulink level to open the respective dialogs and click on the **Start analysis** button. The progress of an analysis can be configured for display in the MATLAB Command Window. When the analysis has finished a new Bode plot will be displayed showing the corresponding transfer function.

Observe the Bode plot generated by the analysis (dashed line). The cross-over frequency is about 40 kHz, and the slope is close to -20 dB/decade. The phase margin is about 95°. While the slope and phase margin are desirable, the cross-over frequency remains lower than 60 kHz, which is 1/10 of the switching frequency. Thus, the system has a slower dynamic response than desired.

Change the variable CapSelector to 1 as described above. Re-run the previous analysis.

Observe the new Bode plot generated by the analysis (solid line). The cross-over frequency is about 60 kHz and the phase margin is about 50°. While the cross-over frequency and phase margin are desirable, the slope of the gain curve around the cross-over frequency is close to -40 dB/decade. This may result in an unstable system.

Closed-loop control analysis: system 1

Reset the CapSelector to 0 as described above. Double-click on the manual switch “Open-Loop/Closed-Loop” to configure the model for closed-loop control operation. Run the Loop Gain Analysis (in PLECS Standalone “System 1 - Loop Gain Analysis”) to obtain the open-loop transfer function of the closed-loop system.

Analyze the Bode plot generated by the analysis. The cross-over frequency is about 65 kHz, the slope of the gain is close to -20 dB/decade, and the phase margin is about 65°. Thus, the system has the desired stability and dynamics (dashed line in Fig. 7).

Next, in the controller subsystem, change the controller type from Type 2 to Type 3. Re-run the same analysis. Observe the Bode plot generated by the analysis. The cross-over frequency is about 100 kHz, the slope of the gain is close to -20 dB/decade, and the phase margin is about 65°. Thus, this system also has the desired stability and dynamics (solid line in Fig. 7).

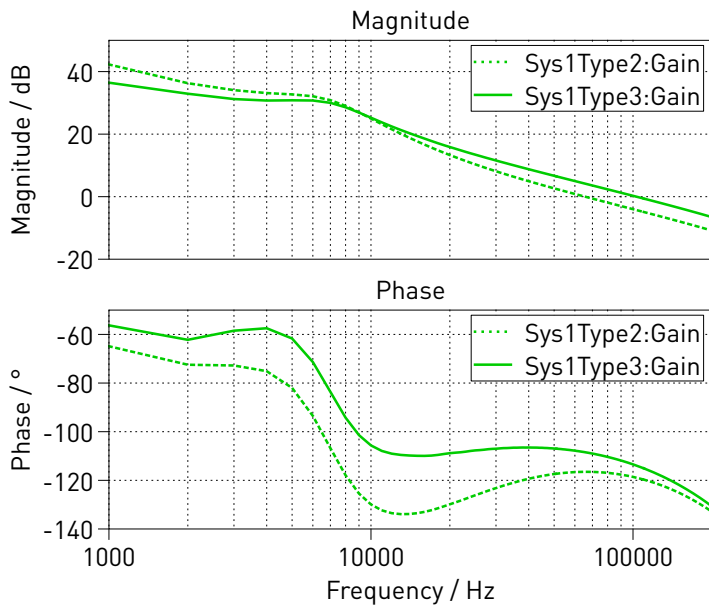


Figure 7: Loop gain of the closed-loop System 1 with Type 2 and Type 3 controller

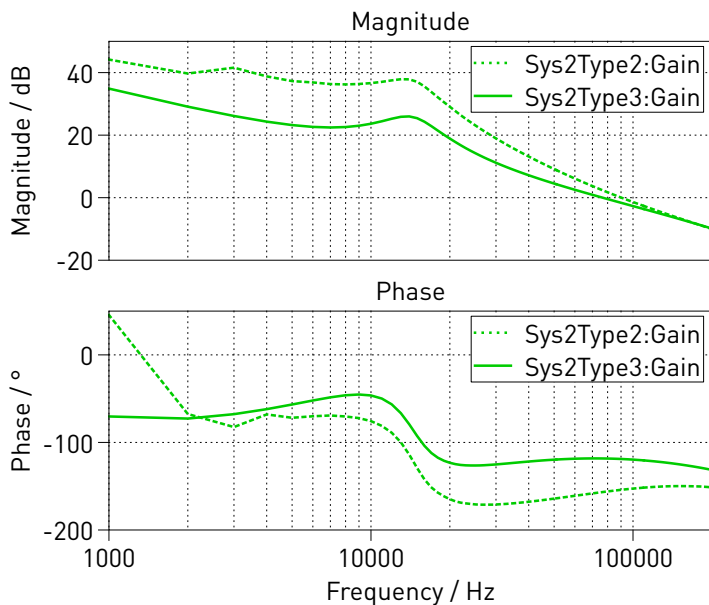


Figure 8: Loop gain of the closed-loop System 2 with Type 2 and Type 3 controller

Closed-loop control analysis: system 2

Next, change the CapSelector to 1 as described above. Run the Loop Gain Analysis (in PLECS Standalone “System 2 - Loop Gain Analysis”) to obtain the open-loop transfer function of the closed-loop system. The cross-over frequency is about 75 kHz, the slope of the gain is close to -20 dB/decade, and the phase margin is about 61°. Thus, this system also has the desired stability and dynamics.

Next, in the controller subsystem, change the controller type from Type 3 to Type 2. Re-run the same analysis. The cross-over frequency is about 92 kHz. However, the slope of the gain is close to -40 dB/decade, and the phase margin is about 25°. Thus, the Type 2 compensator is unable to meet the system stability requirements for System 2.

References

- [1] A. M. Rahimi, P. Parto, P. Asadi, “Compensator Design Procedure for Buck Converter with Voltage-Mode Error-Amplifier”, *International Rectifier Application Note AN-1162*.

Revision History:

PLECS 4.3.1 First release

How to Contact Plexim:

☎	+41 44 533 51 00	Phone
	+41 44 533 51 01	Fax
✉	Plexim GmbH Technoparkstrasse 1 8005 Zurich Switzerland	Mail
@	info@plexim.com	Email
	http://www.plexim.com	Web

PLECS Demo Model

© 2002–2020 by Plexim GmbH

The software PLECS described in this document is furnished under a license agreement. The software may be used or copied only under the terms of the license agreement. No part of this manual may be photocopied or reproduced in any form without prior written consent from Plexim GmbH.

PLECS is a registered trademark of Plexim GmbH. MATLAB, Simulink and Simulink Coder are registered trademarks of The MathWorks, Inc. Other product or brand names are trademarks or registered trademarks of their respective holders.