



PLECS

DEMO MODEL

Microgrid in Island Operation

Last updated in PLECS 4.3.1

www.plexim.com

- ▶ Request a PLECS trial license
- ▶ Check the PLECS documentation

1 Overview

This demonstration illustrates a microgrid with three active generators (solar, wind, etc.) of different VA ratings (1 MVA, 500 kVA, 200 kVA). A supervisory controller at the Point of Common Coupling (PCC) ensures that the frequency and voltage are kept at their rated values. Load sharing among the multiple generator units is provided by the local droop control. This demo model was developed by Dr. Luis Garces. A system level overview of the model is given in Fig. 1.

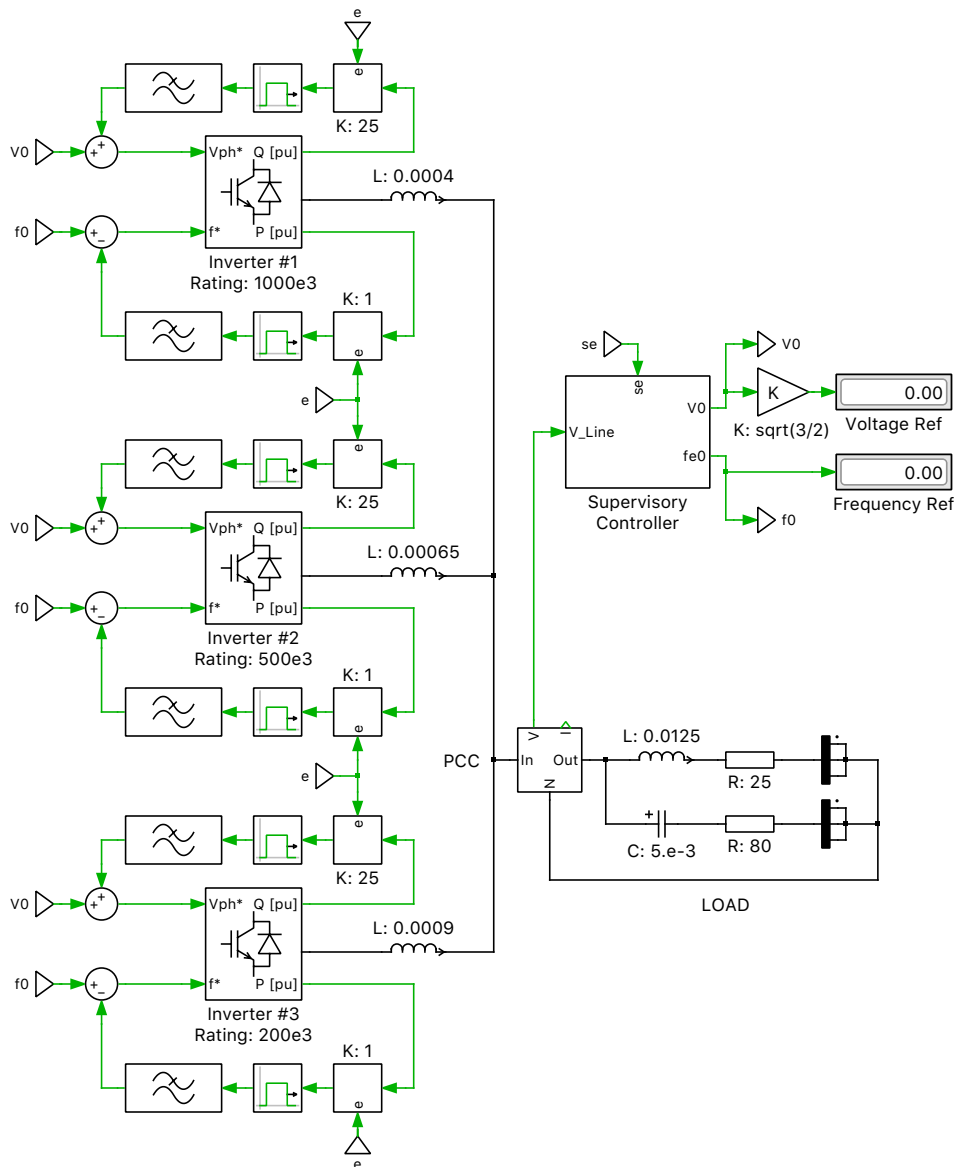


Figure 1: System level overview of the microgrid

Note This model contains model initialization commands that are accessible from:

PLECS Standalone: The menu **Simulation + Simulation Parameters... + Initializations**

PLECS Blockset: Right click in the **Simulink model window + Model Properties + Callbacks + InitFcn***

2 Model

A “Microgrid” is a system approach to view generation and associated loads as a subsystem. This approach allows for local control of distributed generation, thereby reducing or eliminating the need for a central dispatch. During disturbances, the generation and corresponding loads can separate from the distribution system to isolate the microgrid’s load from the disturbance without harming the transmission grid’s integrity.

High system reliability and generation placement flexibility can be achieved by a peer-to-peer concept, ensuring no specific component is critical for the microgrid operation, and a plug-and-play model, implying a unit can be placed at any point on the electrical system without needing to re-engineer the controls, for each microgrid component. This ability to “island” generation and loads has the potential to provide higher local reliability than that provided by the power system as a whole [1].

2.1 Controls

The control method in this demo is discussed in [2].

Microgrids are managed through both local and centralized supervisory controls. The system frequency and voltage references are dynamically determined by the supervisory controller, such that real power and reactive power sharing among multiple power generation units is provided by the local droop control.

The inverters themselves set their own instantaneous active and reactive power using active power/frequency (P/f) and reactive power/voltage (Q/V) droops. When in islanded mode, a microgrid is responsible for both voltage and power control.

Droop Control

In the transmission system, synchronous generators are equipped with P/f droop control to regulate their speed. When the output active power is greater than the input mechanical power, the generator slows down because energy is being extracted from its rotating inertia. This causes the frequency to decrease, resulting in reduction of terminal voltage, phase angle and AC power. However, frequency is a global parameter, i.e., equal in the entire system and is directly linked to the speed of the generators. Therefore, each generator unit measures and “droops” its speed to reduce its input mechanical power. This results in accurate power sharing among different generators.

The P/f droop control method for a standalone microgrid is based on mimicking the operation of a synchronous generator. Since converter-based microgrids generally lack inertia, the P/f droop method in microgrids is based on transmission line characteristics. In inductive networks, active power (P) and phase angle (δ), and reactive power (Q) and voltage amplitude (E) are related by the power flow equations below. For the control, frequency is used instead of phase angle.

$$P \approx \frac{E_1 E_2 \delta}{X}$$

and

$$Q \approx \frac{E_1}{X} (E_1 - E_2)$$

The above equations approximately represent a source E_1 with a low phase angle δ to voltage E_2 with phase angle 0 through an inductive line impedance jX .

In the conventional P/f droop control method, generator active power, P , is drooped proportional to the measured frequency, f . However, since frequency measurement in converter-based microgrids is not straightforward and active power measurement is easier, f is drooped as a function of P . At the same time, the amplitude of the voltage, V , is drooped with the measured reactive power, Q .

The P/f and Q/V droops for a given generator unit i are below:

$$\omega_i = \omega_{\text{ref}} + K_f (P_i - P_{i,\text{ref}})$$

and

$$V_i = V_{\text{ref}} + K_{Q,v}(Q_i - Q_{i,\text{ref}})$$

where ω is angular pulsation ($\omega = 2\pi f$), K_f and $K_{Q,v}$ are the droop constants.

The droops are coordinated to ensure each parallel inverter unit supplies active and reactive power in proportion to its rating while sharing the load. An advantage of the droop method is its simplicity, because no extra interconnections among the inverters are required. Therefore, high modularity, flexibility (i.e., plug and play integration) and good reliability can be achieved [3].

In the current demo, the individual inverter units are managed using open-loop droop and supervisory controls. Therefore, the individual frequency and voltage of the units are not dynamically regulated. The supervisory control changes the open loop reference (very slowly) to guarantee that the frequency and voltage at the PCC are maintained at 60 Hz and 4160 V respectively.

3 Simulation

The model starts with both the supervisory controller and droop controller disabled. The per-unit values of active power P and reactive power Q are quite mismatched. The unit with 200 kVA rating is close to overload. At 1 second, droop control is enabled. It can then be observed that the per-unit values of P and Q reach the same values in all the three inverters. The droop action changes the output voltage and frequency, returning them to their correct values by enabling the supervisory controller at 10 seconds. Notice that there is no communication among the inverters. The supervisory control changes the set points at a very slow rate (heavily filtered in the simulation). This can be achieved in the real world with a simple CAN bus.

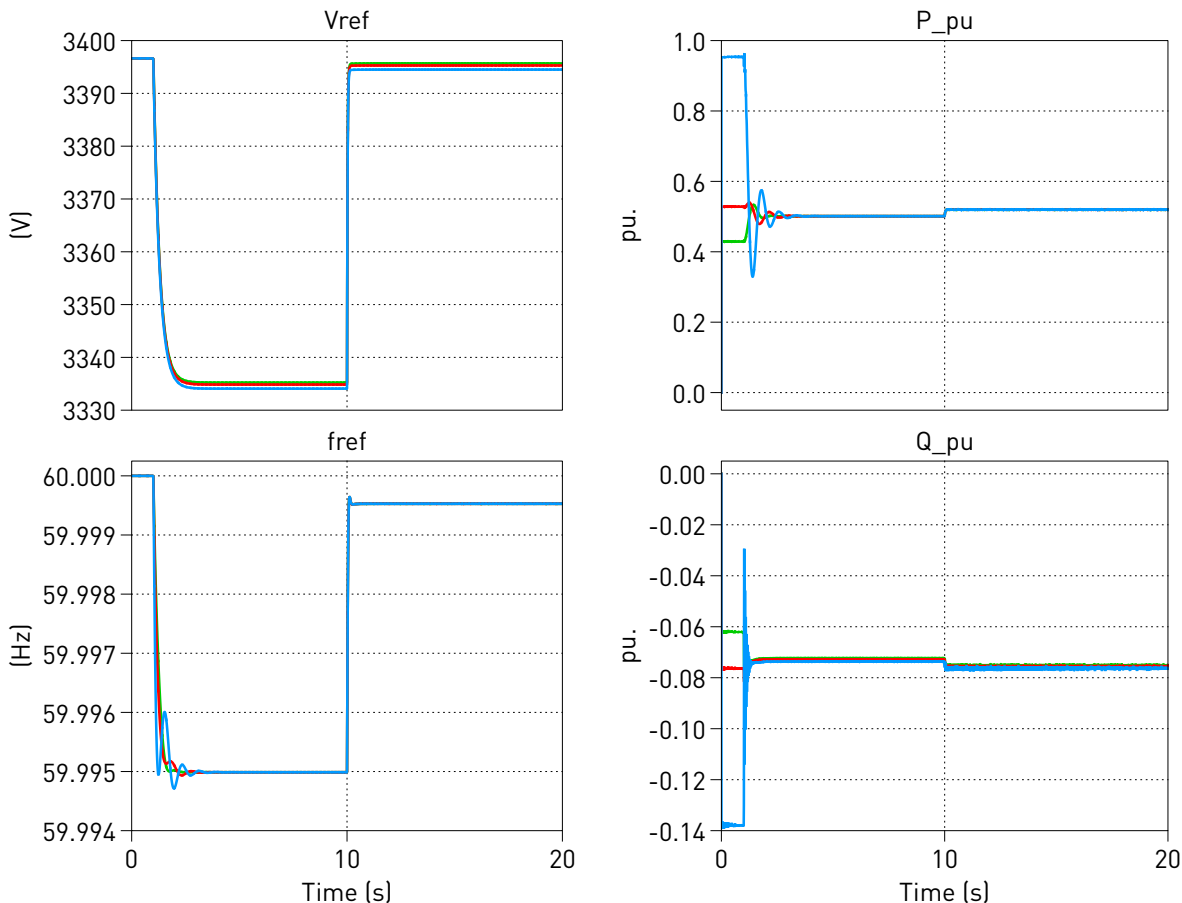


Figure 2: Simulation results

References

- [1] R. H. Lasseter and P. Paigi, "Microgrid: a conceptual solution," 2004 IEEE 35th Annual Power Electronics Specialists Conference (IEEE Cat. No.04CH37551), 2004, pp. 4285-4290 Vol.6. doi:10.1109/PESC.2004.1354758
- [2] L. Garces, Y. Liu, S. Bose, "System and method for integrating wind and hydroelectric generation and pumped hydro energy storage systems."
Click to access online: Google Patents webpage for US20070114796A1.
- [3] Vandoorn, Tine. 2013. "Voltage-based Droop Control or Converter-Interfaced Distributed Generation Units in Microgrids". Ghent, Belgium: Ghent University. Faculty of Engineering and Architecture.

Revision History:

PLECS 4.3.1 First release

How to Contact Plexim:

☎	+41 44 533 51 00	Phone
	+41 44 533 51 01	Fax
✉	Plexim GmbH Technoparkstrasse 1 8005 Zurich Switzerland	Mail
@	info@plexim.com	Email
	http://www.plexim.com	Web

PLECS Demo Model

© 2002–2020 by Plexim GmbH

The software PLECS described in this document is furnished under a license agreement. The software may be used or copied only under the terms of the license agreement. No part of this manual may be photocopied or reproduced in any form without prior written consent from Plexim GmbH.

PLECS is a registered trademark of Plexim GmbH. MATLAB, Simulink and Simulink Coder are registered trademarks of The MathWorks, Inc. Other product or brand names are trademarks or registered trademarks of their respective holders.